

## FEATURES

- Solid metal construction for durability and reliability
- Allows bather to direct water flow
- Pairs with a 2- or 3-way transfer valve configuration
- Available with fired enamel handle insert
- Complements the Script collection

## CODES/STANDARDS APPLICABLE

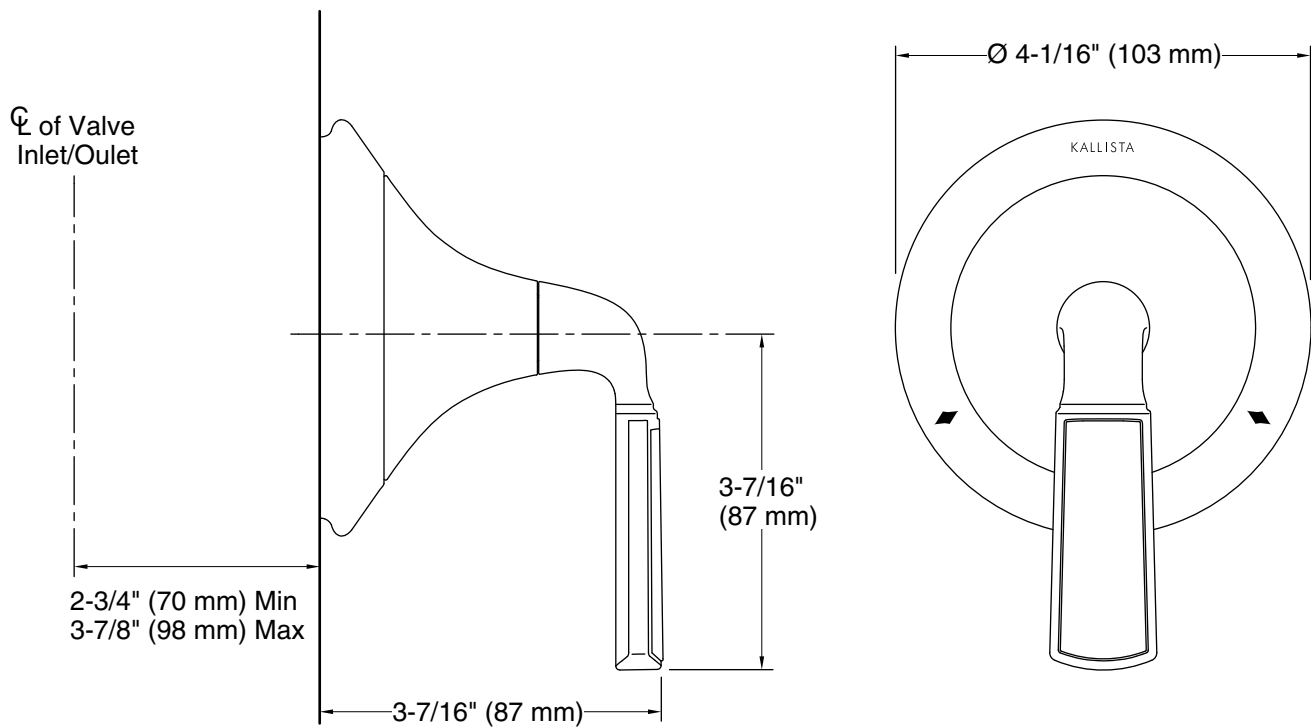
Specified model meets or exceeds the following:

- ASME A112.18.1/CSA B125.1
- ICC/ANSI A117.1
- ADA\*
- OBC\*
- CSA B651\*

# P25062

<b>ADA</b>	<b>CSA B651</b>	<b>OBC</b>
------------	-----------------	------------

\* Compliant when installed to the specific requirement of this regulation



## SPECIFIED MODEL

Model	Description	Finishes		
P25062-CBW	Script Transfer Trim, Enamel Celeste Blue Wave	<input type="checkbox"/> CP Polished Chrome	<input type="checkbox"/> AD Nickel Silver	<input type="checkbox"/> BCH Blush Bronze
P25062-FGW	Script Transfer Trim, Enamel Flannel Grey Wave	<input type="checkbox"/> CP Polished Chrome	<input type="checkbox"/> AD Nickel Silver	<input type="checkbox"/> BCH Blush Bronze
P25062-FRW	Script Transfer Trim, Enamel Frost Wave	<input type="checkbox"/> CP Polished Chrome	<input type="checkbox"/> AD Nickel Silver	<input type="checkbox"/> BCH Blush Bronze
Required Rough-in				
P29513-00	Transfer Valve	<input type="checkbox"/> NA		
P29514-00	Transfer Valve, Eco	<input type="checkbox"/> NA		

We reserve the right to make revisions without notice in the design of products or in packaging unless this right has specifically been waived at the time the order is accepted.