

KALLISTA®

Script™ Thermostatic Trim, Enamel Handle

FEATURES

- Solid metal construction for durability and reliability
- Allows bather to set precise temperature
- Patented K-joint installation ensures consistent trim appearance, regardless of variability in valve rough-in
- Available with fired enamel handle insert
- Complements the Script collection

CODES/STANDARDS APPLICABLE

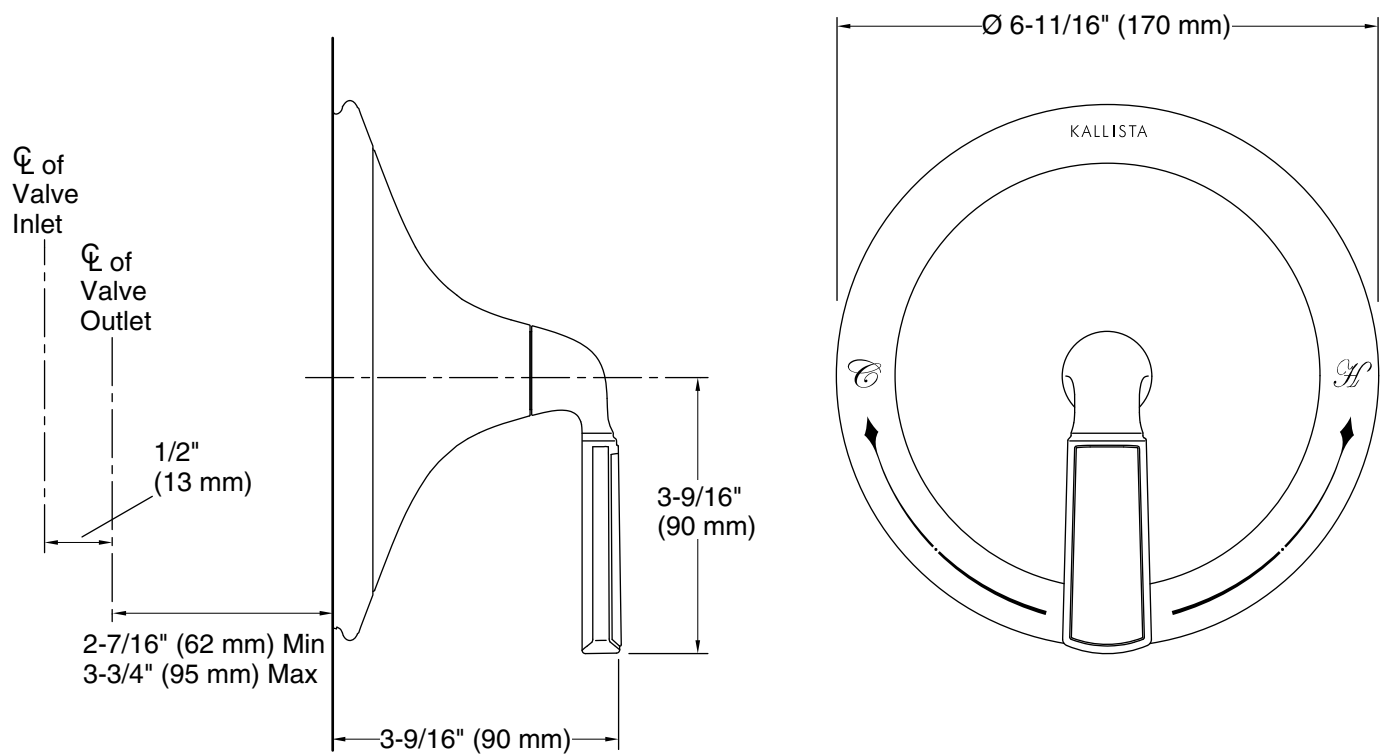
Specified model meets or exceeds the following:

- ASME A112.18.1/CSA B125.1
- ICC/ANSI A117.1
- ADA*
- OBC*
- CSA B651*

ADA **CSA B651** **OBC**

* Compliant when installed to the specific requirement of this regulation

P25060



SPECIFIED MODEL				
Model	Description	Finishes		
P25060-CBW	Script Thermostatic Trim, Enamel Celeste Blue Wave	<input type="checkbox"/> CP Polished Chrome	<input type="checkbox"/> AD Nickel Silver	<input type="checkbox"/> BCH Blush Bronze
P25060-FGW	Script Thermostatic Trim, Enamel Flannel Grey Wave	<input type="checkbox"/> CP Polished Chrome	<input type="checkbox"/> AD Nickel Silver	<input type="checkbox"/> BCH Blush Bronze
P25060-FRW	Script Thermostatic Trim, Enamel Frost Wave	<input type="checkbox"/> CP Polished Chrome	<input type="checkbox"/> AD Nickel Silver	<input type="checkbox"/> BCH Blush Bronze
Required Rough-in				
P29511-WS	1/2" Thermostatic Mixing Valve	<input type="checkbox"/> NA		
P29512-WS	3/4" Thermostatic Mixing Valve	<input type="checkbox"/> NA		

We reserve the right to make revisions without notice in the design of products or in packaging unless this right has specifically been waived at the time the order is accepted.