

### FEATURES

- Honed marble top
- Solid brass vanity leg construction for durability and reliability
- Two 15-3/8" (391 mm) x 19" (483 mm) pull-out drawers with slow-close slides
- Complements the Vir Stil, Vir Stil Minimal, Pinna Paletta, and Pure Paletta collections
- Jewelry-cut vanity leg upgrade kits provide the opportunity for design match to Vir Stil or Pinna Paletta collections

### CODES/STANDARDS APPLICABLE

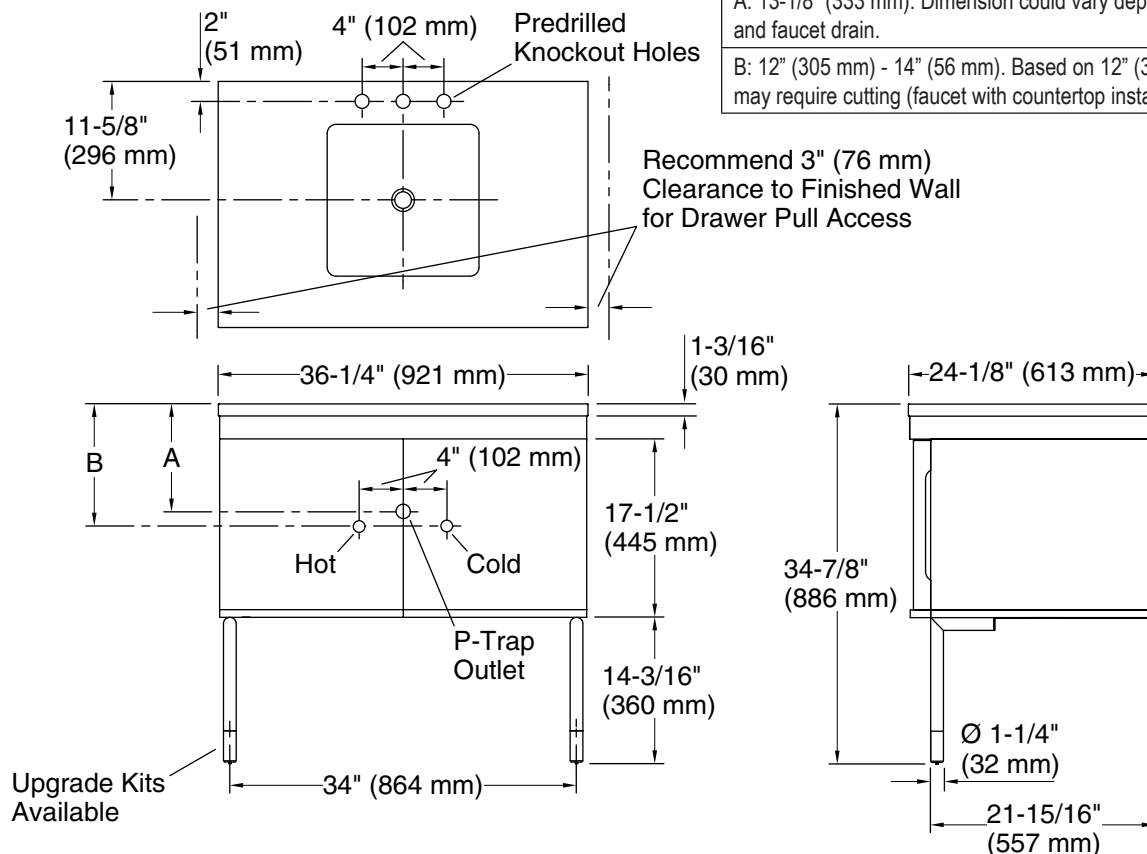
- Specified model meets or exceeds the following:
- EPA TSCA Title VI

P74219, P74220,  
P74223, P74227,  
P74230

### INSTALLATION NOTES

A: 13-1/8" (333 mm). Dimension could vary depending on P-trap and faucet drain.

B: 12" (305 mm) - 14" (56 mm). Based on 12" (305 mm) riser which may require cutting (faucet with countertop installation).



### SPECIFIED MODEL

Model	Description	Finishes		
P74220-00	Laura Kirar Vanity	<input type="checkbox"/> CRK Cerused Oak	<input type="checkbox"/> WU White Lacquer	
P74223-00	Laura Kirar Vanity Legs	<input type="checkbox"/> CP Polished Chrome	<input type="checkbox"/> AD Nickel Silver	<input type="checkbox"/> BZ Antique Bronze
		<input type="checkbox"/> ULB Unlacquered Brass	<input type="checkbox"/> LB Bronze	
P74219-00	Laura Kirar Precut Marble Top	<input type="checkbox"/> NM Nero Marquina	<input type="checkbox"/> KL Calacatta Borghini	
P72040-00	Laura Kirar Undercounter Basin	<input type="checkbox"/> 0 Stucco White		
P72040-WO	Laura Kirar Undercounter Basin with Overflow	<input type="checkbox"/> 0 Stucco White		
Recommended Accessories				
P74227-00	Vir Stil Upgrade Kit for Vanity Legs	<input type="checkbox"/> CP Polished Chrome	<input type="checkbox"/> AD Nickel Silver	<input type="checkbox"/> LB Bronze
P74230-00	Pinna Paletta Upgrade Kit for Vanity Legs	<input type="checkbox"/> CP Polished Chrome	<input type="checkbox"/> AD Nickel Silver	<input type="checkbox"/> ULB Unlacquered Brass
		<input type="checkbox"/> ADW Antique Nickel	<input type="checkbox"/> ABW Antique American Bronze	

We reserve the right to make revisions without notice in the design of products or in packaging unless this right has specifically been waived at the time the order is accepted.