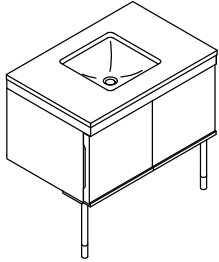
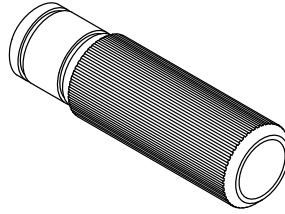


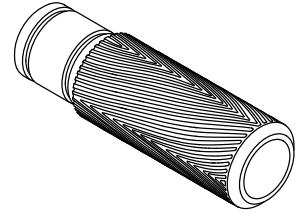
INSTALLATION INSTRUCTIONS



P74219, P74220, P74223



P74227



P74230

INSTALLATION INSTRUCTIONS

THANK YOU FOR CHOOSING KALLISTA

We appreciate your commitment to KALLISTA quality products. Please take a moment to review this manual before you install your KALLISTA product. If you encounter any installation or performance problems, please do not hesitate to contact us at the phone number listed at the bottom of the page or visit us on line at kallista.com.

BEFORE YOU BEGIN

The **Laura Kirar® Vanity** consists of the following:

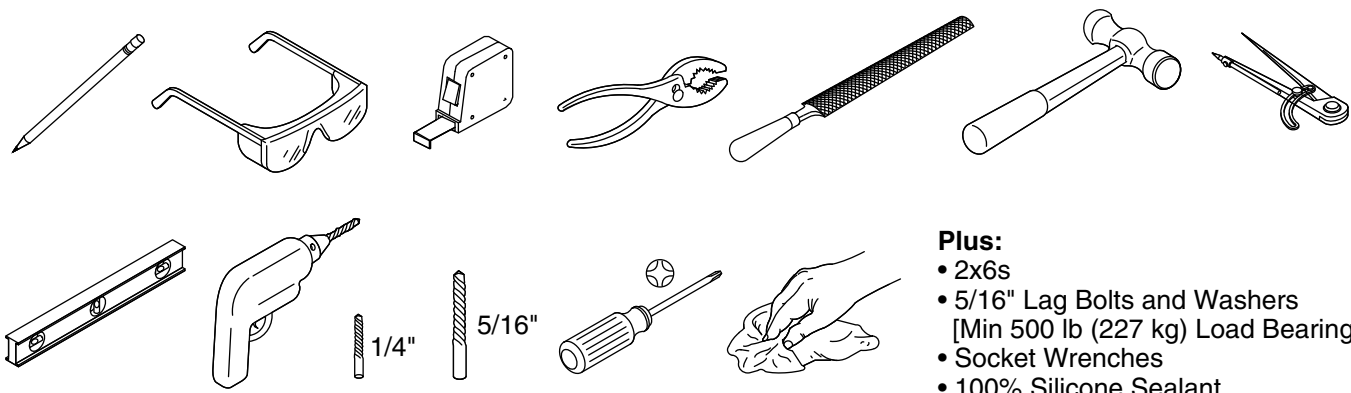
- P74220 – Wood Vanity
- P74223 – Legs
- P74219 – Stone Top
- P72040 – Undercounter Basin

- Prior to installation, unpack all products and inspect them for damage. If the product is damaged, contact Kallista's Customer Service immediately at the phone number listed at the bottom of the page.

NOTE: Although your vanity may differ from the one shown, the installation steps are the same.

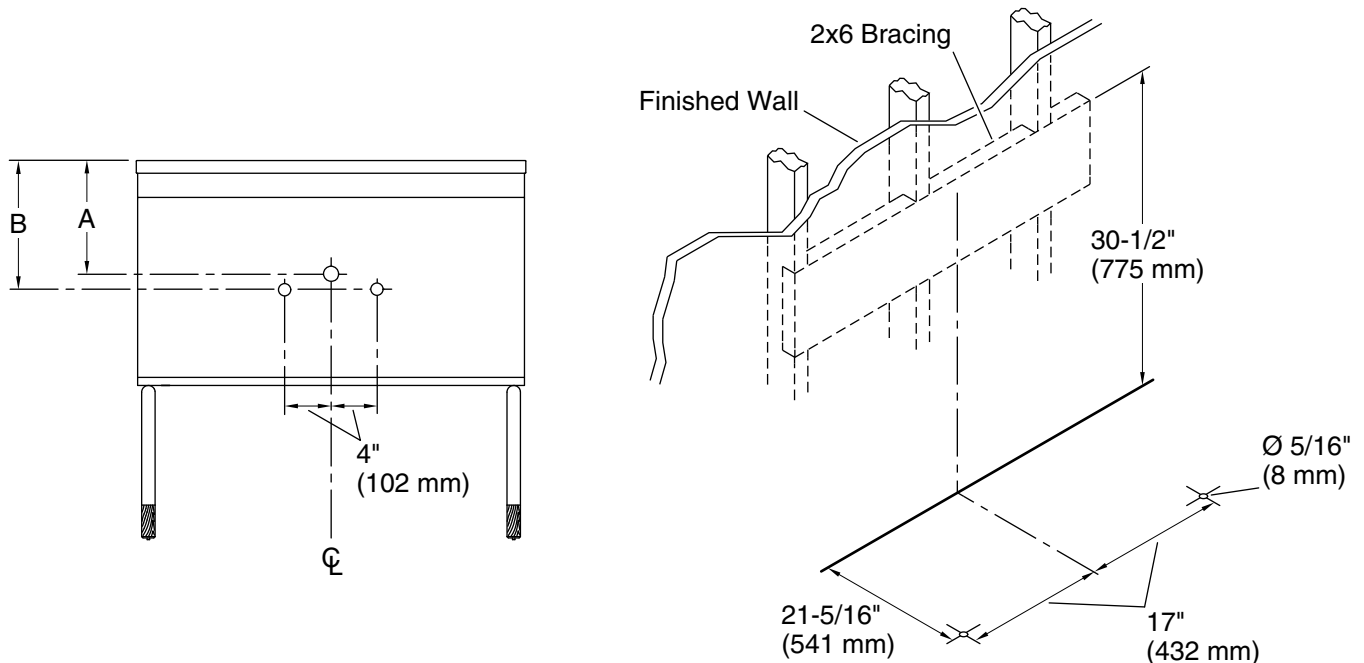
- This installation requires a minimum of two people. **Do not** install this fixture alone.
- Secure the vanity to stud framing. When possible, provide 2x6 bracing behind the finished wall for additional support.
- To ease installation, remove drawers from the vanity before beginning. Refer to the "Drawer Removal and Reinstallation" section.
- The stone console lavatory can be installed with three different faucet configurations:
 - **Single-Hole** for a monoblock faucet
 - **Three-Hole** for a widespread faucet
 - **No-Hole** for a wall-mount faucet
- Refer to your faucet installation instructions to determine which configuration is necessary for your lavatory.
- To create the holes necessary for your faucet installation, refer to the instructions in section 4.
- KALLISTA reserves the right to make revisions in the design of products without notice, as specified in the Price Book.

TOOLS AND MATERIALS



INSTALLATION INSTRUCTIONS

1. PREPARE THE SITE



⚠ CAUTION: Risk of property damage. To properly support the weight of the vanity and sink, secure the vanity to the stud framing or 2x6 bracing behind the finished wall.

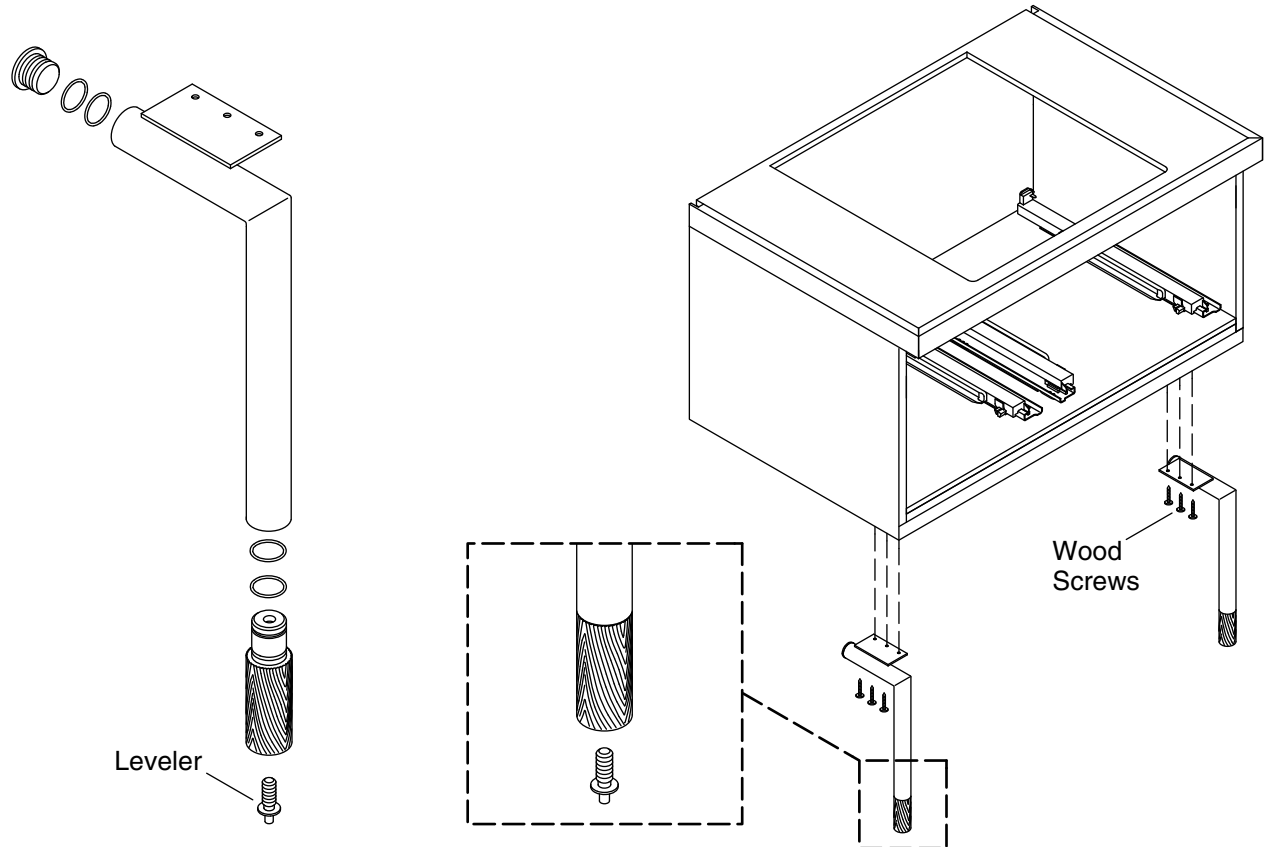
- If installing 2x6 bracing, front-notch the studs 1-1/2" (38 mm) to ensure the bracing sits flush against the studs. The top of the bracing should be 30-1/2" (775 mm) from the finished floor. **The bracing should span the length of the vanity.**
- Plan for routing the supply and drain piping for your desired sink installation.
 - Dimension "A" = 13-1/8" (333 mm). The dimension could vary depending on P-trap and faucet drain.
 - Dimension "B" = 12" (305 mm) - 14" (356 mm). Based on 12" (305 mm) riser which may require cutting (faucet with countertop installation).

NOTE: To ensure proper support and alignment: The finished wall must be straight and plumb. The finished floor must be flat and perpendicular to the finished wall.

- Locate the centerline of the vanity.
- Measure 21-5/16" (541 mm) from the finished wall, and 17" (432 mm) from each side of the centerline.
- Drill a 5/16" hole, 1/2" (13 mm) deep at each location.

INSTALLATION INSTRUCTIONS

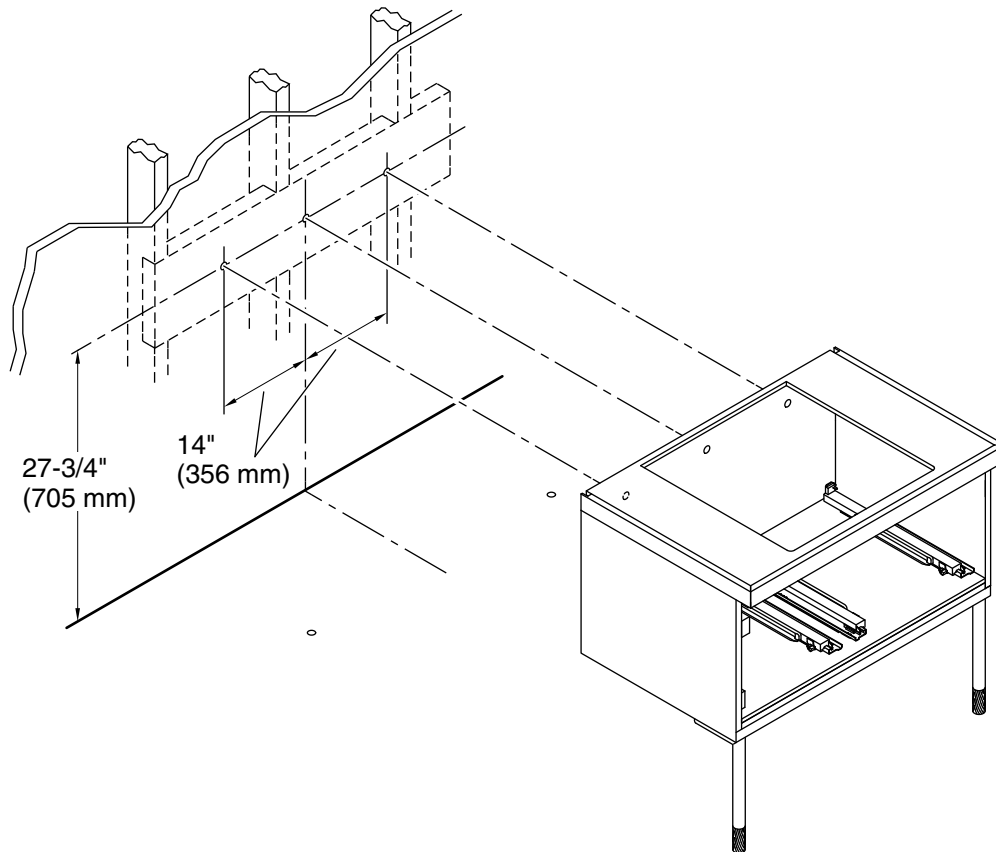
2. ATTACH THE LEGS TO THE VANITY



- Assemble the legs.
- Install the legs to the vanity using the wood screws supplied.

INSTALLATION INSTRUCTIONS

3. SECURE THE VANITY



⚠ CAUTION: Risk of property damage. Select 500 lb (227 kg) load bearing 5/16" lag bolts, long enough to clear obstacles in the wall, and 5/16" washers. Calculate the proper lag bolt length by adding the following: 1-1/2" (38 mm) backing board + wallboard thickness + vanity wall thickness - 3/4" (19 mm).

- Position the vanity in the installation location. If the floor is uneven, use a pair of pliers to adjust the leveler located at the bottom of each leg.

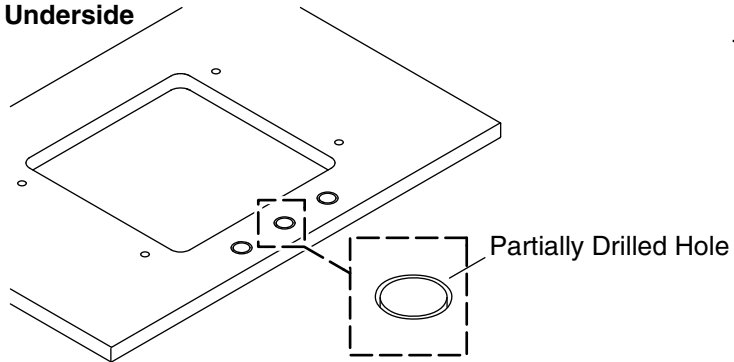
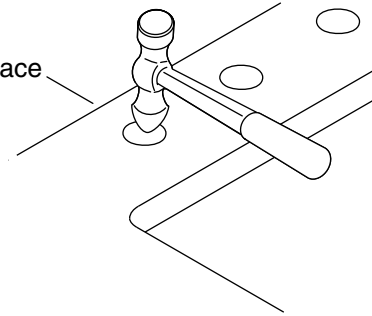
NOTE: If a backing board cannot be used, drill pilot holes into the wall studs near the center of the vanity, and on each side of the center wall stud.

- Using a 1/4" drill bit, drill a pilot hole at the center of the vanity backing board and finished wall, 27-3/4" (705 mm) up from the finished floor (center of the backing board)
- Drill two pilot holes, 14" (356 mm) from each side of the center mounting hole.
- Secure the vanity to the wall with 5/16" lag bolts and washers (not provided). The lag bolts should engage the 2x6 bracing and/or all wall studs behind the rail.

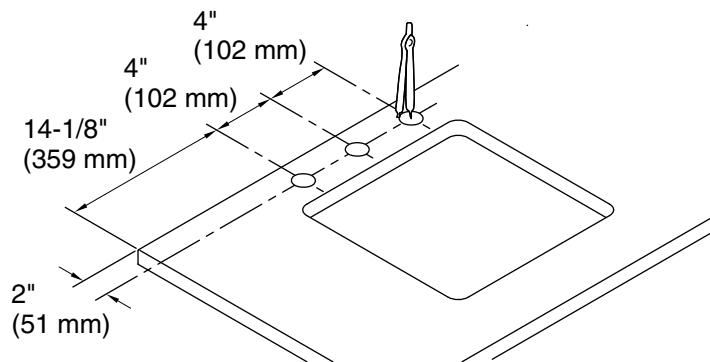
INSTALLATION INSTRUCTIONS

4. STONE TOP HOLE FABRICATION

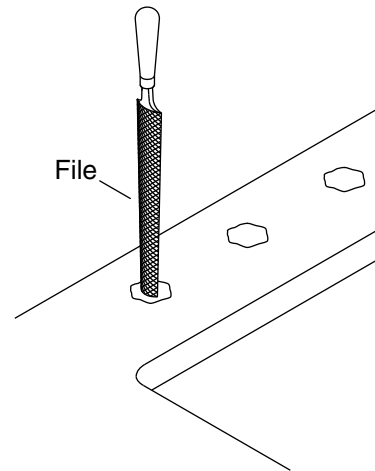
Underside

Top or
Finished Surface

Top or Finished Surface



File



NOTE: Three faucet holes are partially drilled from the underside of the stone top.

- Determine the number of faucet holes needed for your installation.
- Turn the stone top upright.
- On the top or finished surface of the stone, locate the center for each faucet hole that will be used.

NOTE: The circles should align with the partially drilled holes on the underside of the stone top.

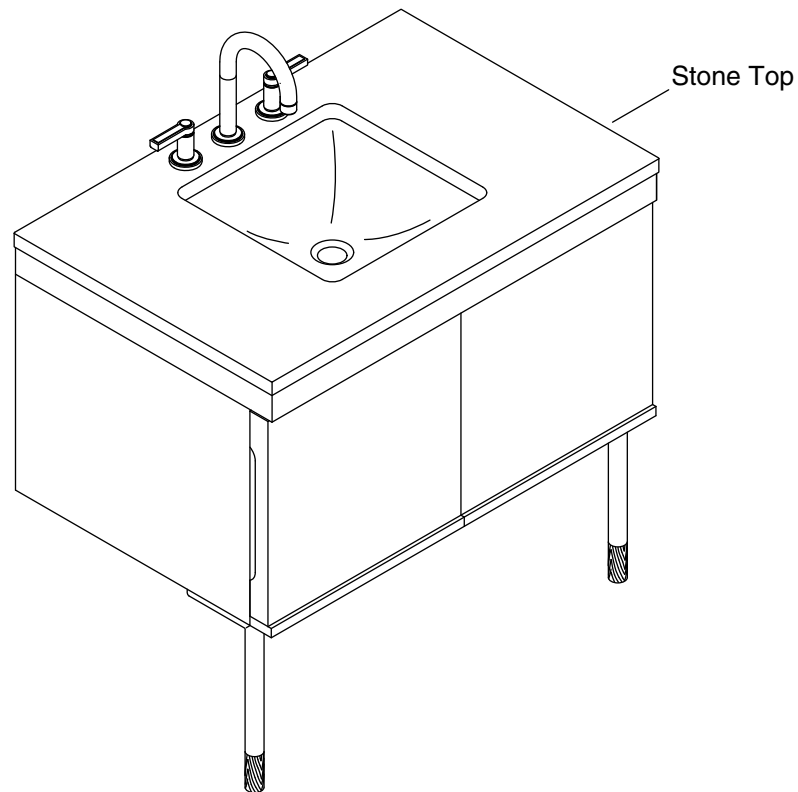
- Use a compass or circle template to draw a circle representing the holes.

IMPORTANT! Striking the stone with too much force or from the underside will damage the top or finished surface of the stone.

- Using a small hammer, create the faucet hole(s) by gently tapping the stone within the circles until the stone breaks away.
- Using a file or sanding cylinder, complete the removal of stone material to create a clean, round hole.

INSTALLATION INSTRUCTIONS

5. INSTALL THE STONE TOP

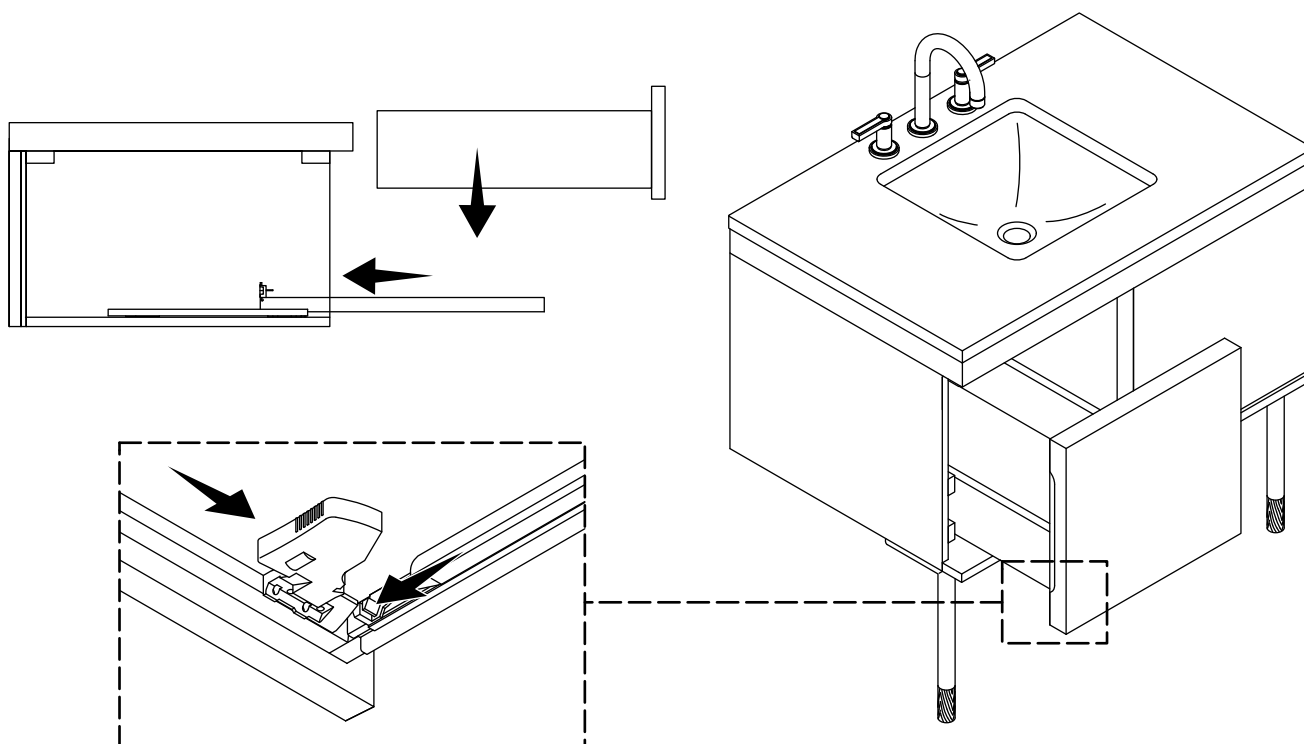


NOTE: Prior to positioning the stone top on the vanity, it is recommended that the plumber install the faucet and undercounter basin.

- With assistance from a second person, gently lower the stone top onto the vanity.
- Reinstall the drawers. Refer to the "Drawer Removal and Reinstallation" section.

INSTALLATION INSTRUCTIONS

DRAWER REMOVAL AND REINSTALLATION

**Removal:**

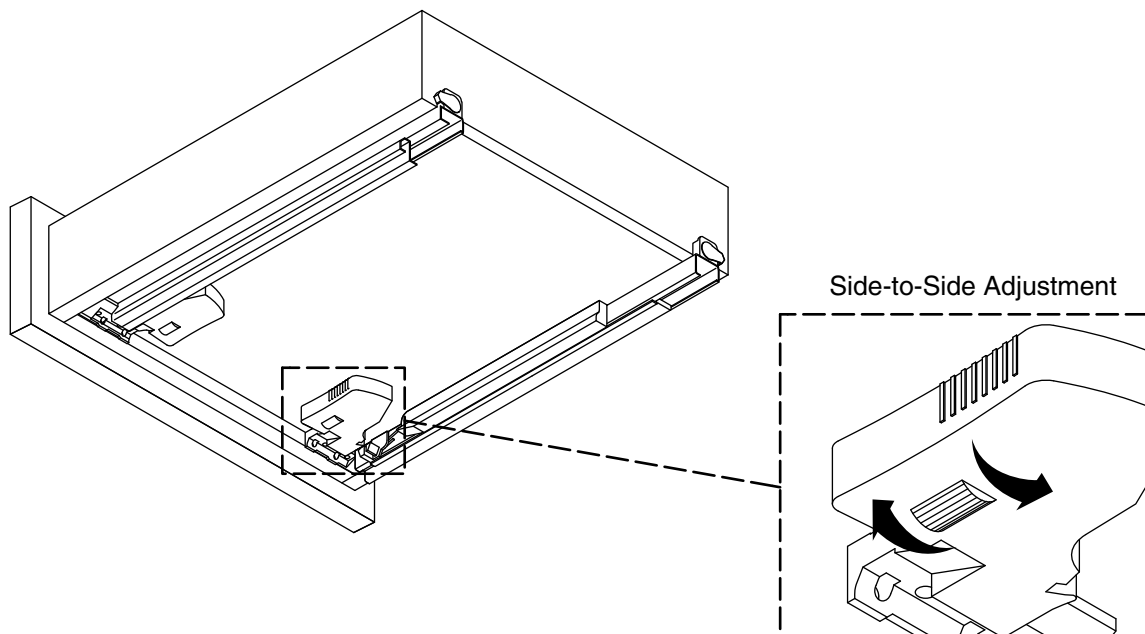
- Slide the drawer out on the rails until fully extended.
- Squeeze both release latches and then pull the front of the drawer up off the rails.
- Lift the drawer out from the vanity.

Reinstallation:

- Fully extend the rails.
- Align the grooves on the underside of the drawer with the rails and set the drawer into place.
- Ensure that the drawer is locked into place by lightly lifting the front of the drawer upward. If the drawer lifts up, repeat the procedure.
- Slide the drawer in and out to ensure smooth operation.

INSTALLATION INSTRUCTIONS

DRAWER SIDE-TO-SIDE ADJUSTMENT

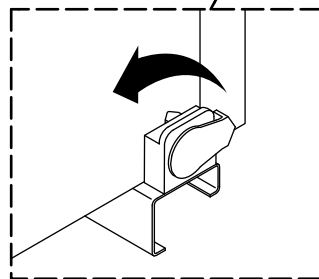
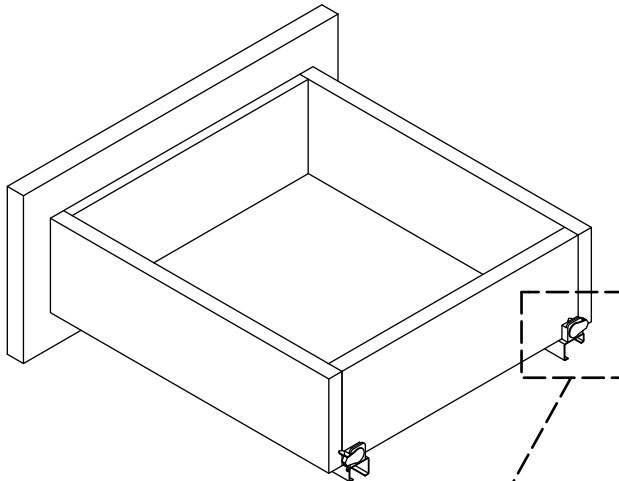


NOTE: The maximum side-to-side adjustment is 1/16" (2 mm).

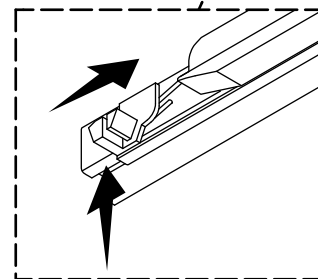
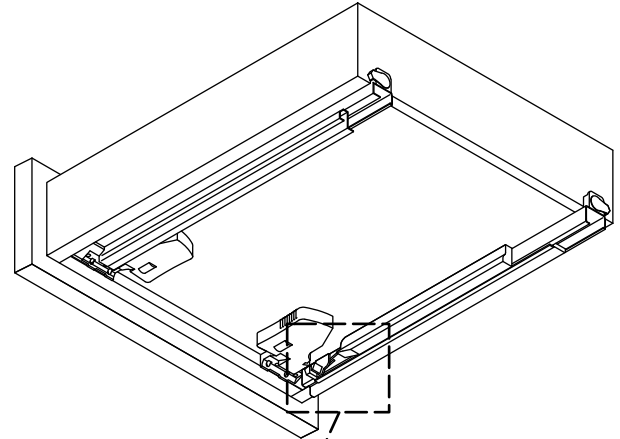
- Adjust the front of the drawer:
 - Open the drawer.
 - Locate the front side-to-side adjustment dials on the drawer latches.
 - Rotate both adjustment dials equally left (or right) until the drawer is centered.
- After the front of the drawer is properly centered in the opening, adjust the rear of the drawer:
 - Open the drawer.
 - Locate the rear side-to-side adjustment dials, located at the rear of the drawer glides.
 - Rotate both adjustment dials equally left (or right) until the drawer is centered.
- Close the drawer to check the drawer fit. Repeat adjustment as needed.

INSTALLATION INSTRUCTIONS

DRAWER TILT AND HEIGHT ADJUSTMENT



Tilt Adjustment



Height Adjustment

Tilt Adjustment:

NOTE: The maximum tilt adjustment is 3/16" (5 mm).

- Open the drawer.
- Rotate the tilt adjustment levers on the rear of each drawer glide to tilt the top of the drawer front up or down as needed.
- Close the drawer to check the drawer fit. Repeat adjustment as needed.

Height Adjustment:

NOTE: The maximum height adjustment is 1/8" (3 mm).

- Open the drawer.
- Press up on the adjustment tab, and push the tab toward the rear of the drawer.
- Repeat as needed on the other side of the drawer.
- Close the drawer to check the drawer fit. Repeat adjustment as needed.