

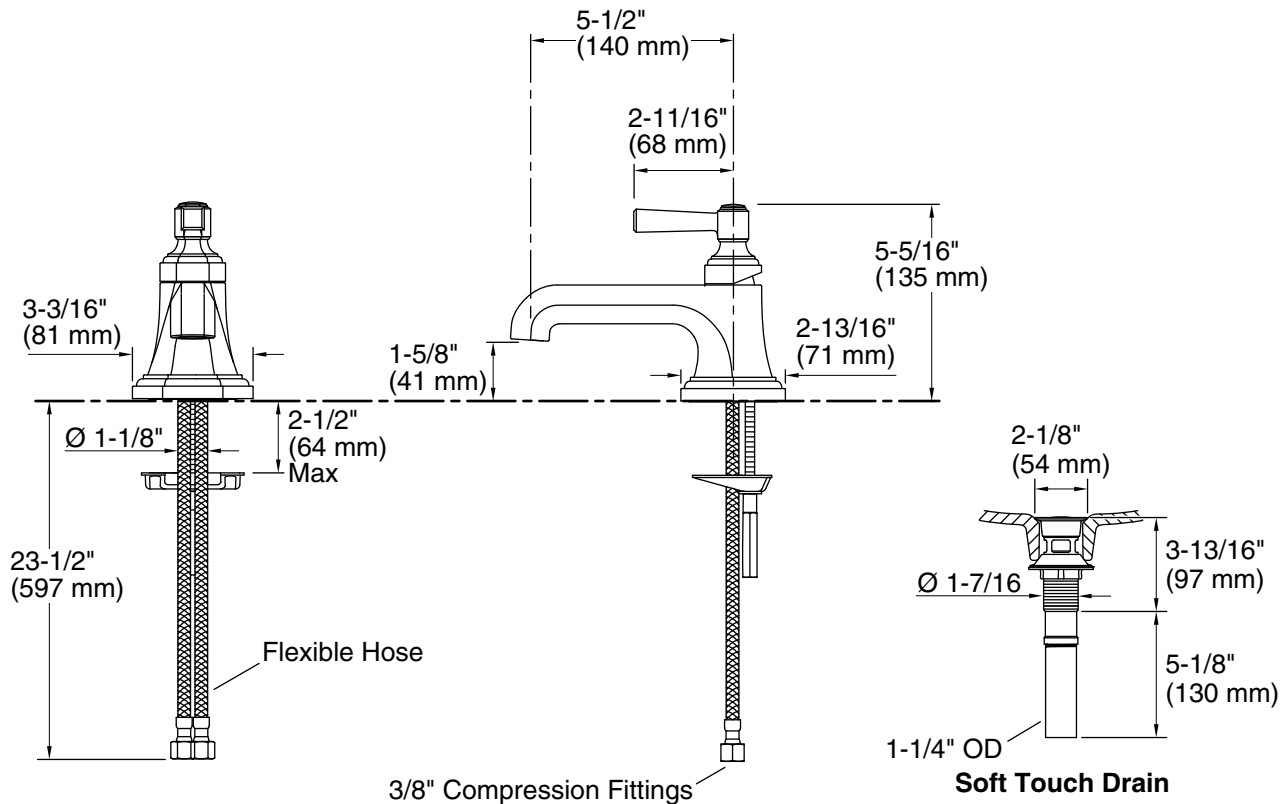
FEATURES

- Solid brass construction for durability and reliability
- 1.2 gal/min (4.5 l/min) maximum flow rate
- Single-hole mounting
- Includes Soft Touch drain
- Timeless and classic form
- Meets CalGreen requirements for bathroom sink faucets
- Complements the For Town collection

CODES/STANDARDS APPLICABLE

Specified model meets or exceeds the following:

- ADA
- ASME A112.18.1/CSA B125.1
- ICC/ANSI A117.1
- NSF 61
- EPA WaterSense®



| INSTALLATION NOTES | | |
|--------------------|-----------------|----------------------|
| | Hole Size (Min) | Deck Thickness (Max) |
| Faucet | 1-1/8" (29 mm) | 2-1/2" (64 mm) |

| SPECIFIED MODEL | | | | |
|-----------------|---|---|---|--|
| Model | Description | Finishes | | |
| P22740-00 | For Town Single Control Lavatory Faucet | <input type="checkbox"/> CP Polished Chrome | <input type="checkbox"/> AD Nickel Silver | <input type="checkbox"/> AG Brushed Nickel |

We reserve the right to make revisions without notice in the design of products or in packaging unless this right has specifically been waived at the time the order is accepted.