

# KALLISTA®

## Single Basin Stainless Steel Sink

---

### INSTALLATION INSTRUCTIONS


L20306, L20307, L20308, L20309,  
L20311, L20312, P72080

## INSTALLATION INSTRUCTIONS

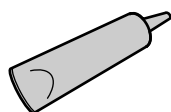
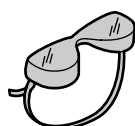
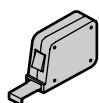
### THANK YOU FOR CHOOSING KALLISTA

We appreciate your commitment to KALLISTA quality products. Please take a moment to review this manual before you install your KALLISTA product. If you encounter any installation or performance problems, please do not hesitate to contact us at the phone number listed at the bottom of the page.

### BEFORE YOU BEGIN

-  **CAUTION: Risk of personal injury.** Use gloves and handle sink edges carefully. Metal surfaces are sharp and can cause severe cuts.
- Please read all instructions before you begin.
  - Observe all local plumbing and building codes.
  - Shut off the water supply.
  - The appearance of your product may differ from what is shown in these instructions, however, the installation procedure is the same.
  - This guide contains two installation methods. Carefully read this entire instruction manual before beginning the installation to determine the appropriate method for your installation.
  - Measure the cabinet opening where the sink will be installed. Plan for adequate clearance between the faucet handles and the backsplash or finished wall.
  - The number of clips included with your sink may differ from the number of clips illustrated. Use all clips included with the sink.
  - Countertop manufacturer/installer should install the anchors into the underside of the countertop. Use the anchors and fasteners provided by the countertop manufacturer and the clamps provided with your sink.
  - Clean the underside of the countertop at the sink installation area thoroughly before installing the sink.
  - Allow the sealant to cure following the sealant manufacturer's instructions.
  - KALLISTA reserves the right to make revisions in the design of products without notice, as specified in the Price Book.

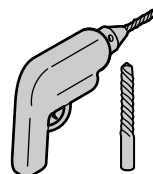
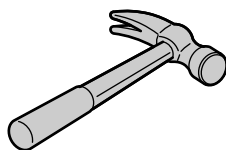
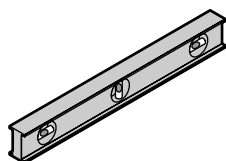
### TOOLS AND MATERIALS



Clear 100% Silicone  
Sealant or Caulk

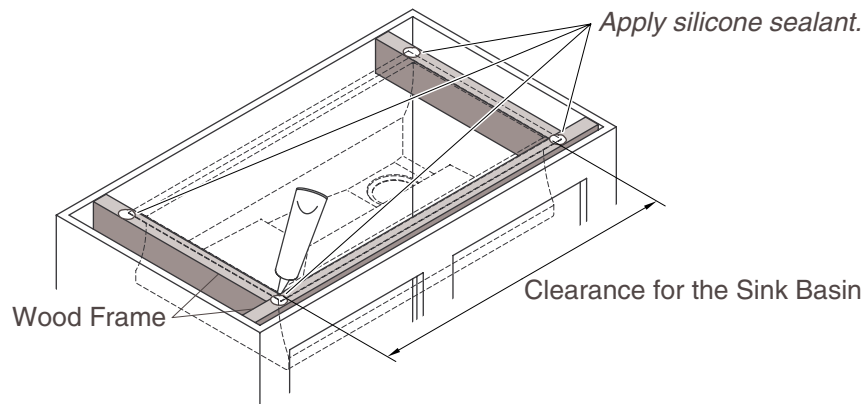
#### Plus

- Conventional woodworking tools and materials, as appropriate
- Saw
- Screws
- Screwdriver



## INSTALLATION INSTRUCTIONS

### 1. PREPARATION (WOOD FRAME INSTALLATION)

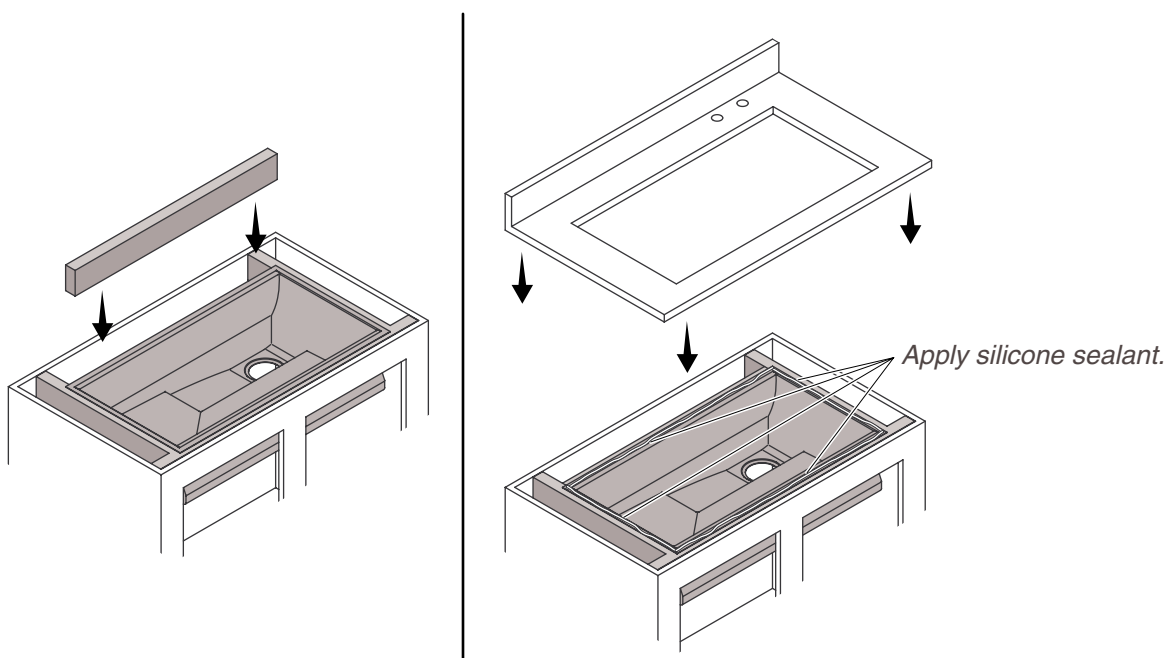


- Verify cabinet clearance.
- Construct a wood frame for the inside of the cabinet. Allow adequate clearance for the faucet valving and sink basin. Ensure the frame will support the entire sink rim.

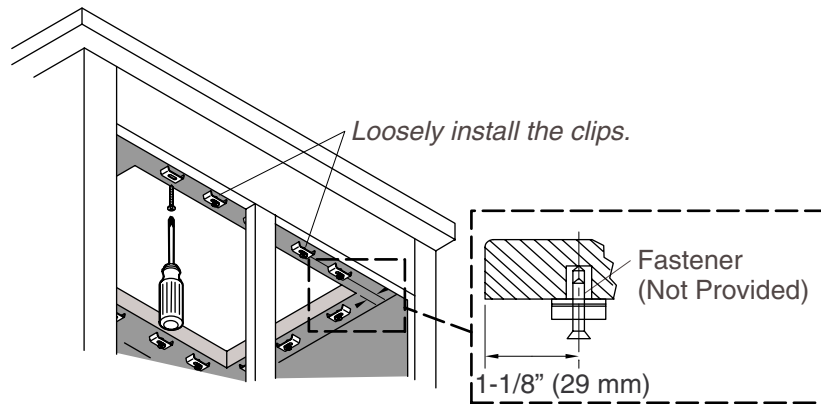
**IMPORTANT!** For the larger sinks, install the frame only on the front and sides of the sink at this time.

**IMPORTANT!** The frame should be located so that once the sink is installed, the top of the sink rim will be flush with the top of the cabinet walls.

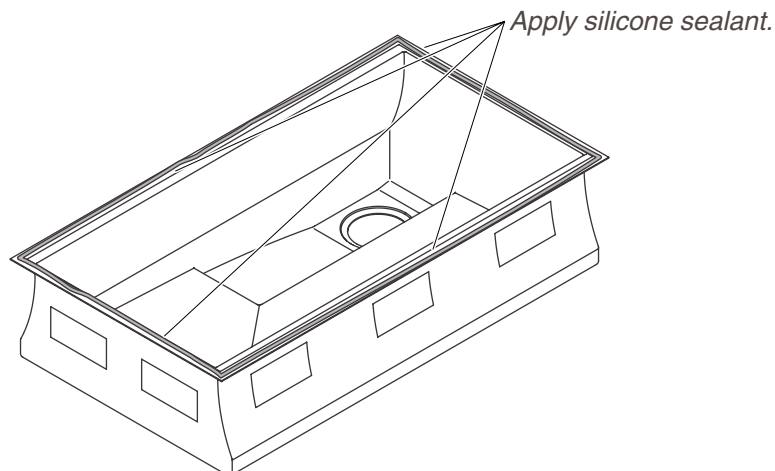
- Position the wood frame within the cabinet and secure. Locate the fasteners for easy access in case the sink needs to be removed.
- Apply a 1" (25 mm) bead of sealant at each corner of the wood frame where it will contact the sink.

**INSTALLATION INSTRUCTIONS****2. INSTALL THE SINK (WOOD FRAME INSTALLATION)**

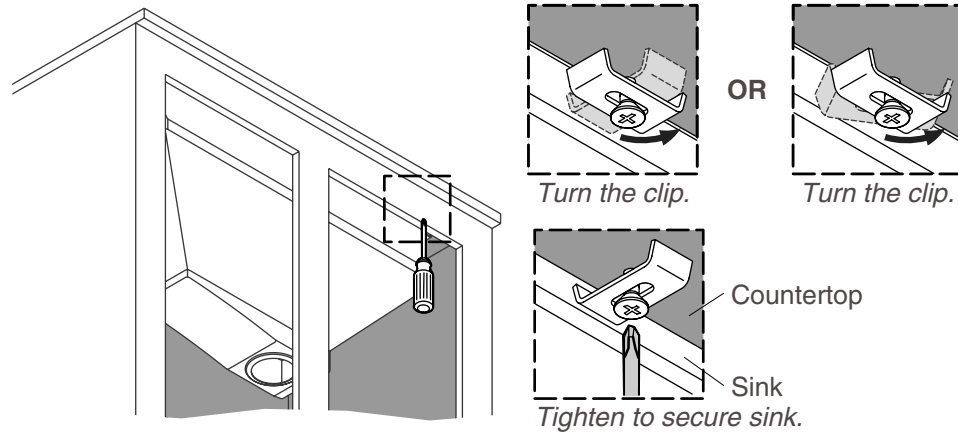
- Lower the sink into the cabinet. Verify the sink is supported by the frame.
- Verify the sink is level, make any adjustments as needed.
- If necessary, complete the installation of the frame along the back of the sink.
- Apply silicone sealant around the rim of the sink.
- Install the countertop.
- Proceed to step number four, "COMPLETE THE INSTALLATION (ALL INSTALLATIONS)".

**INSTALLATION INSTRUCTIONS****1. PREPARATION (CLIP & FASTENER INSTALLATION)**

- Verify cabinet clearance.
- Loosely install the clips.

**2. PREPARATION CONT'D. (CLIP & FASTENER INSTALLATION)**

- Clean any residue from the top and underside of the counter.
- Apply sealant near the inside edge.

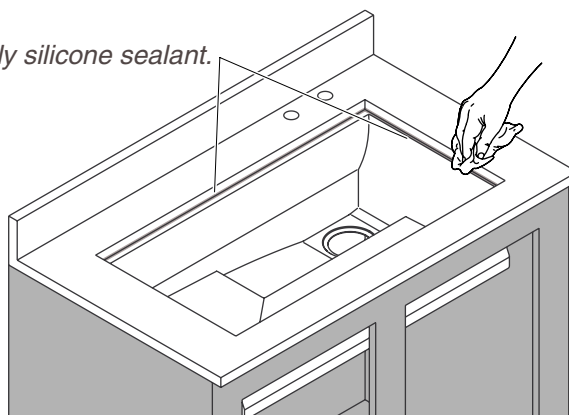
**INSTALLATION INSTRUCTIONS****3. INSTALL THE SINK (CLIP & FASTENER INSTALLATION)**

- Rotate the clips and tighten the screws (not provided) to secure the sink to the countertop.

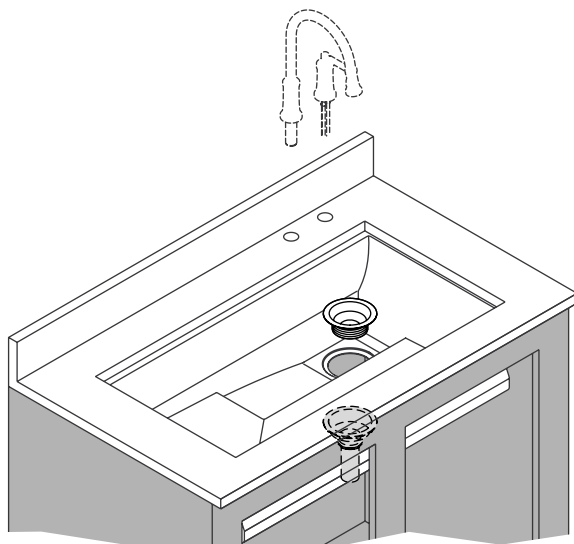
**NOTE:** The clips may not rotate 90° along some of the cabinet walls.

**INSTALLATION INSTRUCTIONS****4. COMPLETE THE INSTALLATION (ALL INSTALLATIONS)**

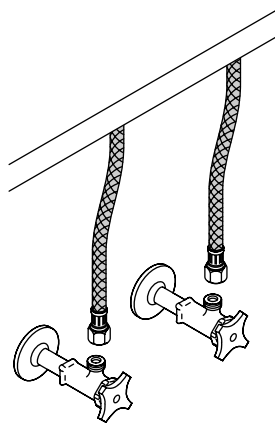
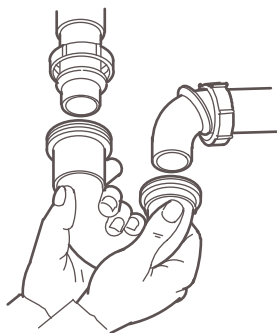
*Apply silicone sealant.*



- Apply silicone sealant. Immediately wipe away any excess.

**5. COMPLETE THE INSTALLATION (ALL INSTALLATIONS)**

- Install the faucet and the strainer or drain.

**INSTALLATION INSTRUCTIONS****6. COMPLETE THE INSTALLATION (ALL INSTALLATIONS)**

- Make the drain connections.
- Connect the supplies.
- Run water into the sink and check all connections for leaks. Repair as needed.