

INSTALLATION INSTRUCTIONS

P24015, P24016,
P24115, P24116,
P24215, P24216,
P24415, P24416

INSTALLATION INSTRUCTIONS**IMPORTANT INSTRUCTIONS****READ AND SAVE FOR THE CONSUMER**

 **WARNING: Risk of scalding or other severe injury.**

- Before completing installation, the installer must set the maximum water temperature setting of this valve to minimize the risks associated with scalding hazards according to ASTM F 444.
- Do not install a shut-off device on either outlet of this valve. The installation of any such device may create a cross-flow condition at the valve and affect the water temperature.
- Factors that change the temperature of the water supplied to the valve, such as seasonal water temperature changes, and water heater replacement or servicing, will change the maximum water temperature supplied by the valve and may create a scalding hazard. The pressure-balanced valve will not compensate for changes in the water supply temperature; adjust the maximum water temperature setting of this pressure-balanced valve when such changes occur.
- Pressure-balanced valves may not provide protection against scalding if there is a failure of other temperature-limiting devices elsewhere in the plumbing system.

NOTICE: Only apply silicone based lubricants to these valves. Do not use petroleum based lubricants. Petroleum based lubricants will harm the O-rings, seals, and plastic components.

The installer is responsible for installing the valve and adjusting the maximum water temperature of this pressure-balanced valve according to instructions.

This valve meets or exceeds ANSI A112.18.1 and ASSE 1016.

If you do not understand any of the installation or temperature adjustment instructions in this document, in the United States please contact 1-888-4KALLISTA. Outside the U.S., please contact your distributor.

IMPORTANT NOTICE TO INSTALLERS! Please fill in the blanks in the adjacent box and on the valve label. Then insert these instructions into the plastic bag included with the valve package, and attach the plastic bag to the valve handle for the homeowner's reference.

NOTICE TO HOMEOWNERS! This device has been preset by _____ of _____ to ensure a safe maximum temperature.

Any change in the setting may raise the discharge temperature above the limit considered safe, and lead to scalds.

Date: _____

INSTALLATION INSTRUCTIONS

THANK YOU FOR CHOOSING KALLISTA

We appreciate your commitment to KALLISTA quality products. Please take a moment to review this manual before you install your KALLISTA product. If you encounter any installation or performance problems, please do not hesitate to contact us at the phone number listed at the bottom of the page.

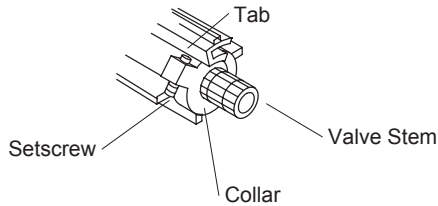
BEFORE YOU BEGIN

- Observe all local plumbing and building codes.
- Shut off the main water supply.
- The finished wall or bath/shower unit must be installed prior to installing this trim.
- We recommend that you determine if the maximum water temperature is acceptable before installing this trim. If temperature adjustment is needed, refer to the Water Temperature Adjustment section.
- The valve shuts off by water pressure. Do not force the handle in any direction. To turn the valve off, gently turn it to the "Off" position.
- KALLISTA reserves the right to make revisions in the design of products without notice, as specified in the Price Book.

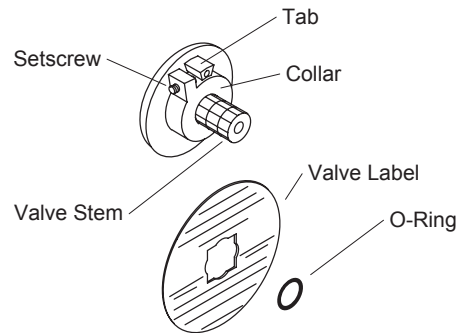
INSTALLATION INSTRUCTIONS

1. WATER TEMPERATURE ADJUSTMENT

High Flow Valve



Standard Valve



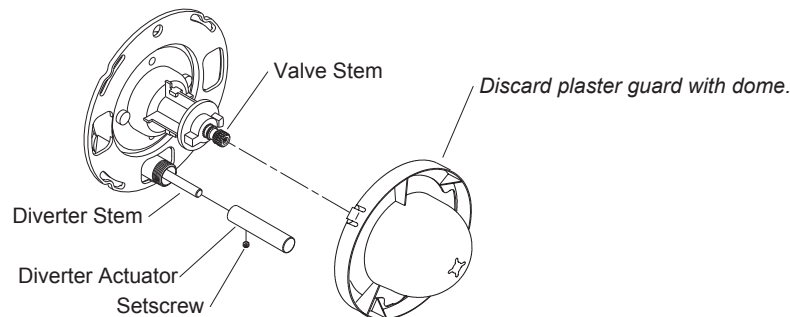
CAUTION: Risk of personal injury. The water temperature should never be set above 120° F (49° C).

NOTE: Do not remove the O-ring and collar at this time. Removing the O-ring and collar will change the factory setting for the maximum water temperature.

- Discard the plaster guard.
- Turn the valve clockwise to the full open position. After several minutes, check the temperature.
- For **minor temperature changes**, adjust the setscrew and recheck the temperature.
- For **major temperature changes**, remove the o-ring and the collar. Slowly turn the valve stem to adjust the maximum water temperature.
- Reinstall the collar with the setscrew against the tab. Reinstall the O-ring.
- Recheck the temperature.
- Turn the valve stem counterclockwise to the "OFF" position.

NOTE: After adjustment, complete the required information on the valve label (if supplied).

2. DIVERTER ASSEMBLY (IF APPLICABLE)

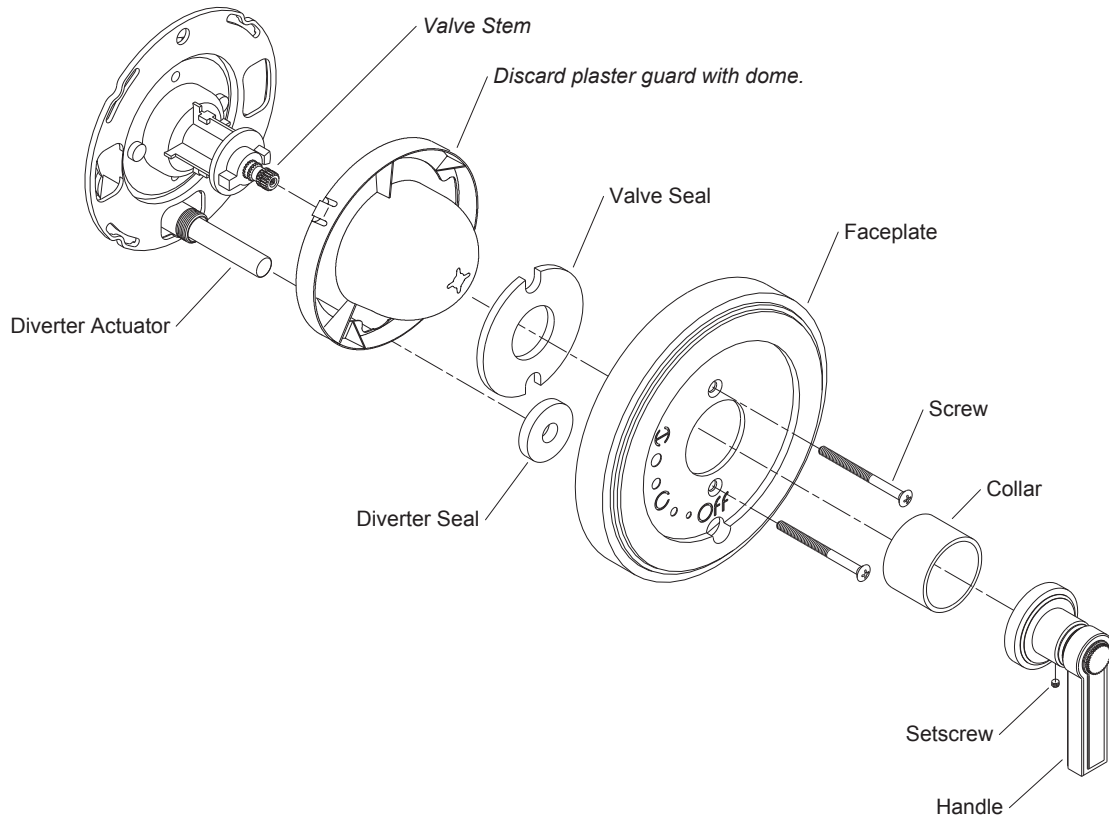


NOTE: If the diverter stem has an E-clip and an O-ring, these must be removed before the actuator and guide can be installed.

- Position the actuator over the diverter stem. Secure with setscrew.

INSTALLATION INSTRUCTIONS

3. INSTALL THE FACEPLATE AND HANDLE



- Tiled Wall Installations Only**, apply silicone sealant.
- Fit diverter seal over diverter actuator (if applicable) and valve seal over valve stem, as shown. Align the notches in the valve seal with the threaded holes in the valve.
- Install the faceplate onto the valve. Secure with two screws. Do not overtighten.
- Rotate the valve stem fully counter clockwise.
- Slide the collar onto the valve.
- Place the handle assembly over the valve stem so that the setscrew is aligned with the large groove on the valve stem. If using the lever handle, make sure that the handle points straight down. Tighten the setscrew.
- If supplied, remove the aerator.
- Run the water to flush debris, then reinstall the aerator.